

**PRIMARY  
PACKAGING**

# HPS 20

## Electronic Flow wrapping Machine



**INDUSTRIES**



**PACK STYLES**

PILLOW PACK



GUSSETED PACK



OFFSET FINSEAL



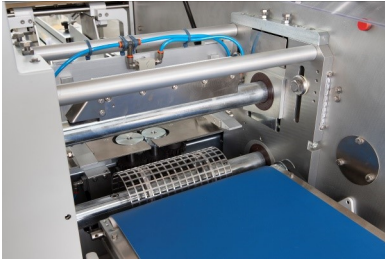
**STANDARD FEATURES**

**The Sacmi HPS20 flow wrapping machine is a fully electronic controlled machine.**

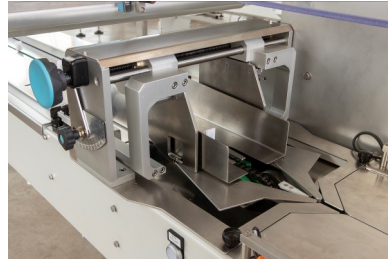
**The machine is highly flexible, user-friendly, providing easy product changeover.**

**Designed and assembled with high quality standard and components; the machine reduces operation cost while minimizing maintenance.**

**Wrapping material max. linear speed: 20m/min**



**High performance cross sealing head**



**Adjustable folding box**



**1st pair of sealing rollers inclinable**

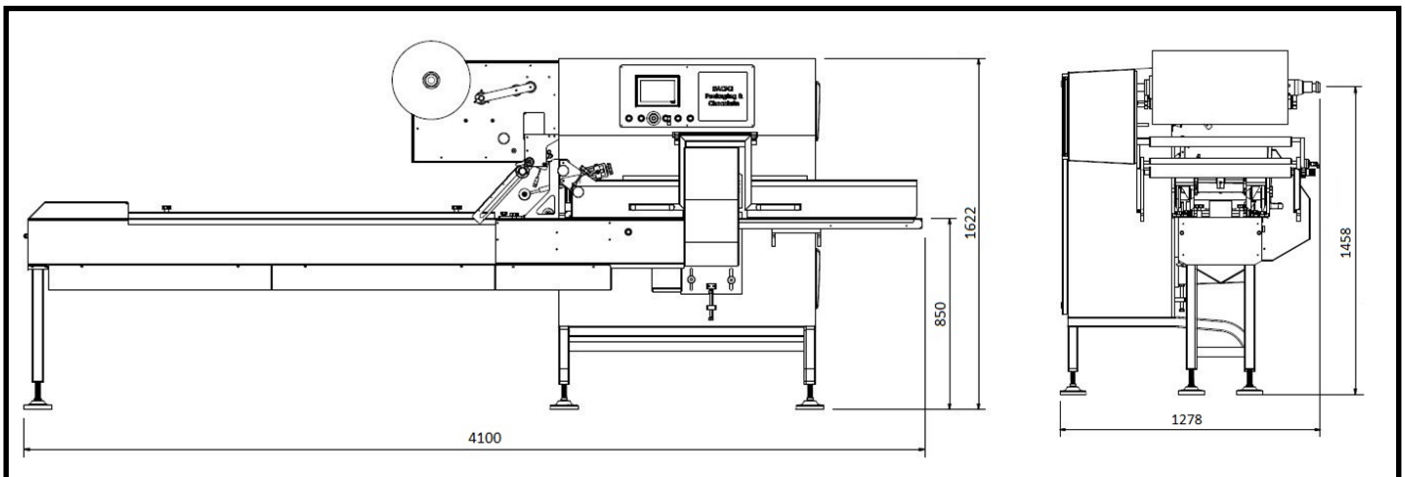


**7" color touch screen HMI**

**OTHER FEATURES**

- Machine available in right or left hand version
- Machine available in painted or stainless steel
- Brushless digital servo motors
- Gusseting device
- No product - No bag
- No Gap - No Seal
- In line trays automatic feeding system

**LAYOUT**



TOTAL WEIGHT	POWER REQ	AIR CONSUMPTION
750 KG	380 V - 50 Hz 3 Kw	1 NL/min (pneumatic gusseting version)

**TECHNICAL FEATURES**

<b>WRAPPING MATERIALS</b>	Cold or heat sealable materials, such as polypropylene, barrier films, laminates, paper based films
<b>ELECTRONIC PLATFORM</b>	B&R/ ALLEN BRADLEY (option)

MAX FILM WIDTH	MAX SPEED	Ø FILM REEL	PRODUCT LENGTH	PRODUCT WIDTH	PRODUCT HEIGHT
650mm	150ppm or 20	400	50-550mm	20-300mm	Up to 140mm



**SACMI Packaging & Chocolate S.p.A.**  
 Sede Legale: Via Selice Provinciale, 17/A - 40026 Imola (BO) Italy  
 Sede Amministrativa: Via Trebbia, 22 - 20089 Rozzano (MI) Italy  
 Tel. +39 0282452.1 - Fax +39 02 82452252  
[www.sacmi.com/chocolate](http://www.sacmi.com/chocolate)    [www.sacmi.com/packaging](http://www.sacmi.com/packaging)